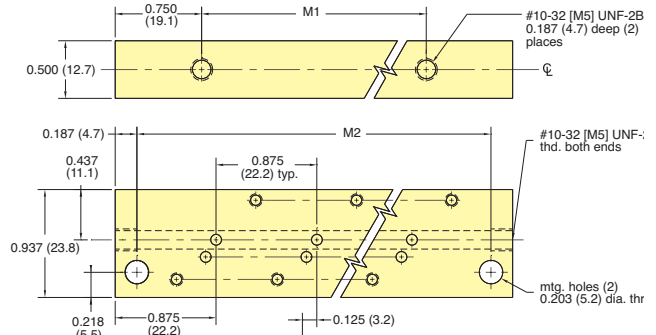


Single-Sided Dual Mount Manifold

Part No.	Description
26081-□	Single-Sided Manifold

Suffix	Valves	L	M1	M2
-4	4	4.375"	2.875"	4.000"
-4-M5	4	111.1 mm	73.0 mm	101.6 mm
-6	6	6.125"	4.625"	5.750"
-6-M5	6	155.6 mm	117.5 mm	146.1 mm
-8	8	7.875"	6.375"	7.500"
-8-M5	8	200.0 mm	161.9 mm	190.5 mm

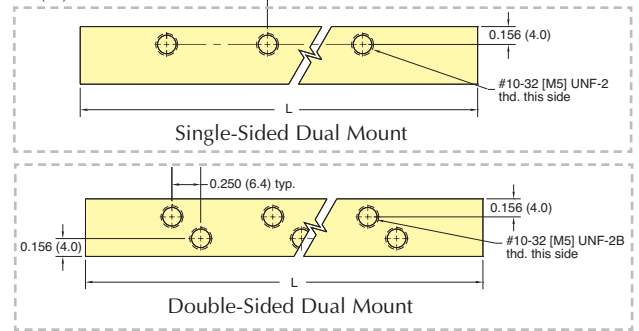


Double-Sided Dual Mount Manifold

Part No.	Description
26082-□	Double-Sided Manifold

Suffix	Valves	L	M1	M2
-8	8	4.375"	2.875"	4.000"
-8-M5	8	111.1 mm	73.0 mm	101.6 mm
-12	12	6.125"	4.625"	5.750"
-12-M5	12	155.6 mm	117.5 mm	146.1 mm
-16	16	7.875"	6.375"	7.500"
-16-M5	16	200.0 mm	161.9 mm	190.5 mm

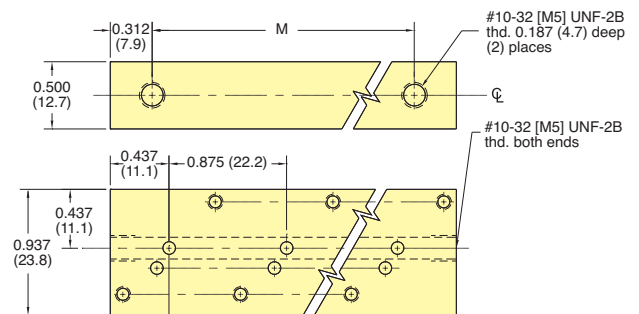
* ESM-CP plate is to cover individual unused manifold station.



Single-Sided Rear Mount Manifold

Part No.	Description
26083-□	Single-Sided Manifold

Suffix	Valves	L	M
-4	4	3.500"	2.875"
		88.9 mm	73.0 mm
-6	6	5.250"	4.625"
		133.4 mm	117.5 mm
-8	8	7.000"	6.375"
		177.8 mm	161.9 mm



Double-Sided Rear Mount Manifold

Part No.	Description
26084-□	Double-Sided Manifold

Suffix	Valves	L	M
-8	8	3.500"	2.875"
-8-M5	8	88.9 mm	73.0 mm
-12	12	5.250"	4.625"
-12-M5	12	133.4 mm	117.5 mm
-16	16	7.000"	6.375"
-16-M5	16	177.8 mm	161.9 mm

* ESM-CP cover plate is available for one manifold station.

